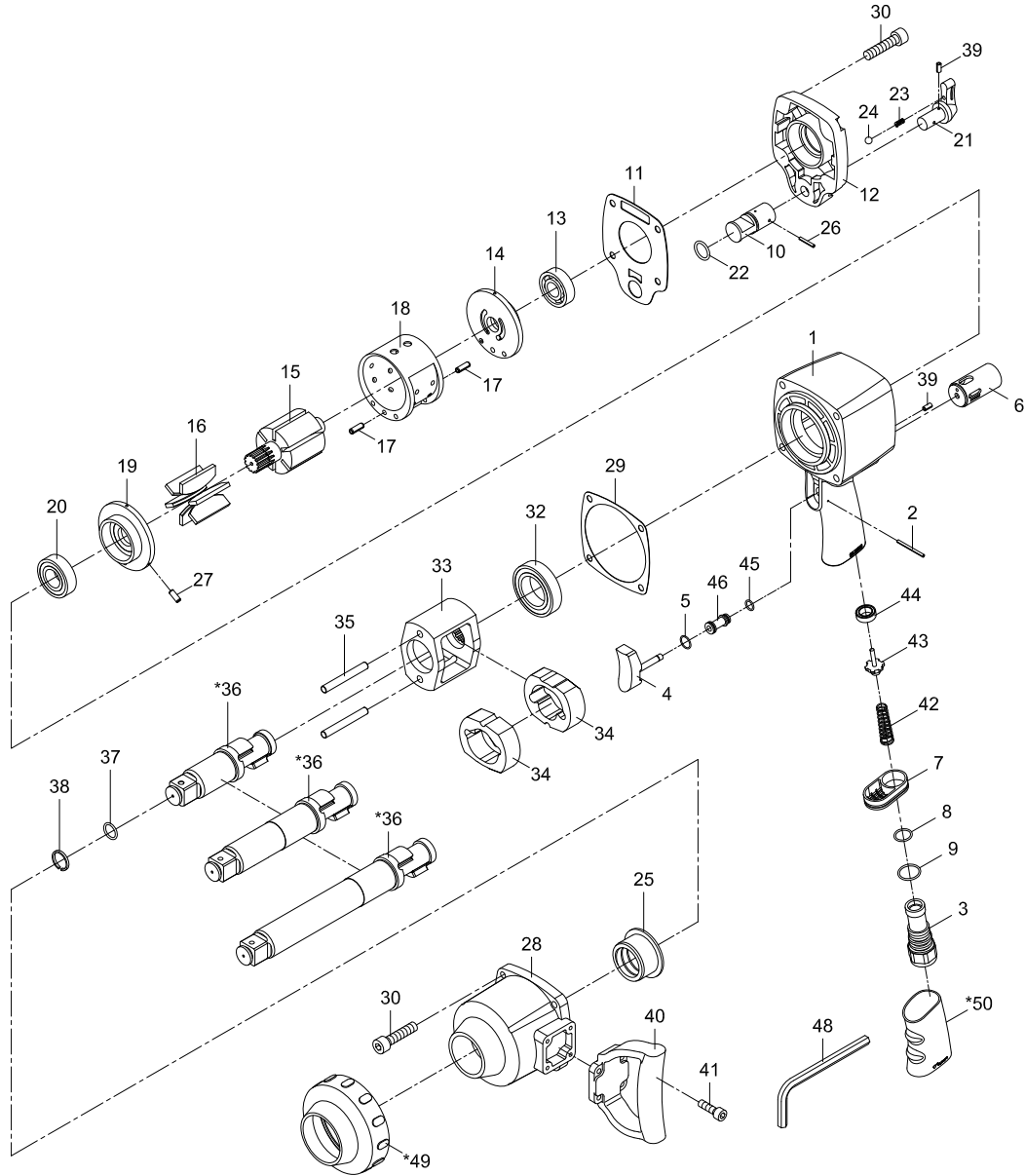


OS-4075 **GAV** HAVALI SOMUN SÖKME



Index No.	Parts No.	Description	Index No.	Parts No.	Description
1	47-407501	Motor Housing	26	50102-12	Spring Pin (3x20)
2	SP02002600	Spring Pin (2x26)	27	SP04001000	Spring Pin (4x10)
3	47-407403	Air Inlet	28	47-407128	Hammer Case
4	47-407404	Trigger	29	47-407135	Gasket
5	52236	O-Ring (10.5x1)	30	47-407130-12	Screw (8) (M8x35)
6	47-407406	Reverse Valve Bushing	32	06008Z	Ball Bearing (6008Z)
7	47-407407	Exhaust Diffuser	33	47-407208	Hammer Cage
8	72009	O-Ring (15.7x1.7)	34	47-407211	Hammer (2)
9	72023	O-Ring (20.35x1.78)	35	47-407217	Hammer Pin (2)
10	47-407410	Reverse Valve		47-407202-11	Anvil (1")
11	47-407534	Gasket	*36	47-4072L02-61	Anvil (1" L=6")
12	47-407520	Rear Cover		47-4072L02-81	Anvil (1" L=8")
13	0610146	Ball Bearing (6204)	37	10211	O-Ring (17.8x2.4)
14	47-407114	Rear End Plate	38	47-405112	Retainer Ring
15	47-407115	Rotor	39	70117-13	Spring Pin (2) (2.5x5)
16	47-407116	Rotor Blade (6)	40	47-407160	Dead Handle
17	SP06001800	Spring Pin (2) (6x18)	41	7H-753528	Screw (4) (M6x20)
18	47-407118	Cylinder	42	43-403647	Valve Spring
19	47-407119	Front End Plate	43	43-403148	Valve Stem
20	06205Z	Ball Bearing (6205Z)	44	43-403145	Rubber Spacer
21	47-407421	Reverse Lever	45	OR00765102	O-Ring (7.65x1.2)
22	OR01608204	O-Ring (16.8x2.4)	46	47-407446	Valve Bushing
23	43-403323	Spring	48	10018	Hex.Key Wrench (M5)
24	5K-3011B25	Steel Ball (9/64")	*49	47-407152	Rubber Grip
25	47-407225	Anvil Bushing	*50	47-407452	Rubber Grip

* Optional Parts